

PRODUCT DATASHEET

Minimum Glare Recessed mounted Downlight
HYD-219C-10W-3000K /4000K / 6000K



Application

- Hotel
- Mall
- Airport
- Lobby
- Theater

Benefits

- Minimum Glare, more clear and comfortable
- Flicker free.
- Low lumen depreciation.
- Special material of reflectors (4 different colors to choice)



Features

- Warranty 5 years
- Yellowing-resistant diffuser (PC)
- Buckle design, easy and quick installation
- Die-cast aluminum body for better heat dissipation, anti-corrosion, and easy maintain

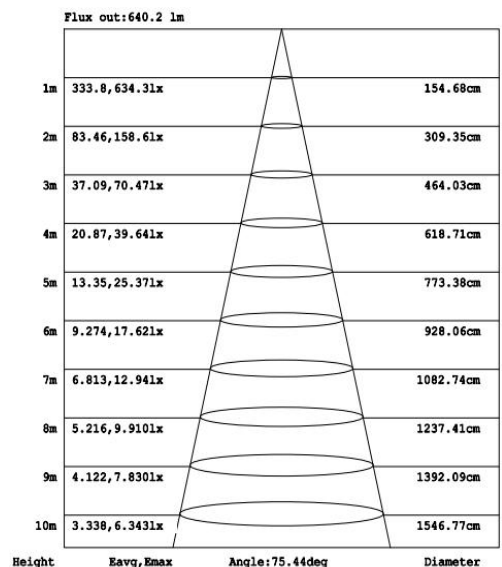
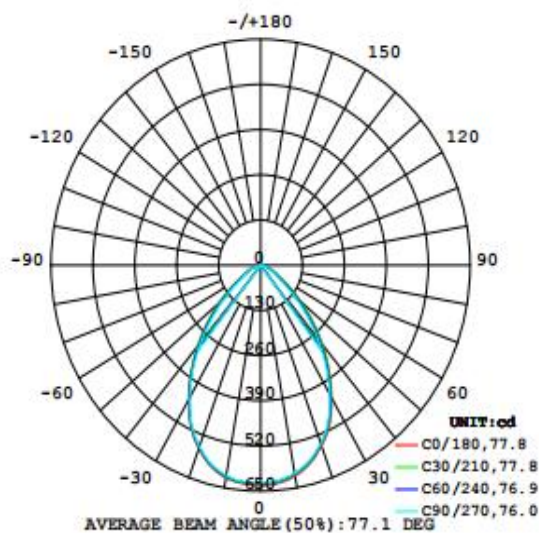
Electrical Data

Nominal wattage (W)	10W
Nominal Voltage (V)	220-240 V
Mains Frequency (Hz)	50/60 Hz
Nominal Current (mA)	0.18A Max
LED Driver Current (mA)	300 mA
LED Driver Voltage (V)	30-42 Vdc
LED Driver Efficiency (%)	83%
Power factor λ	0.5
Total harmonic distortion (%)	...
Operating mode	External LED driver

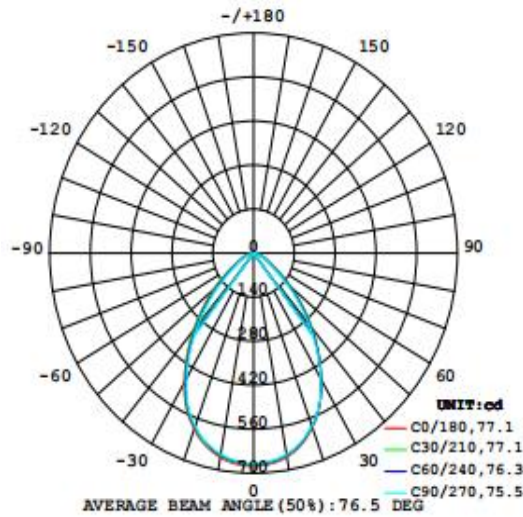
Photometrical data

Luminous flux $\pm 10\%$ (lm)	1010	1066	1037
Luminous efficacy	103 lm/w	107 lm/w	106 lm/w
Color temperature	3000K	4000K	6000K
Light color (designation)	Warm White	Nature White	Cold White
Color rendering index Ra	≥ 80		
Standard deviation of color matching	≤ 5 SDCM		
Luminous intensity/cd	634	677	660
Flickering	Flicker free		
Beam angle	77°	77°	77°

3000K



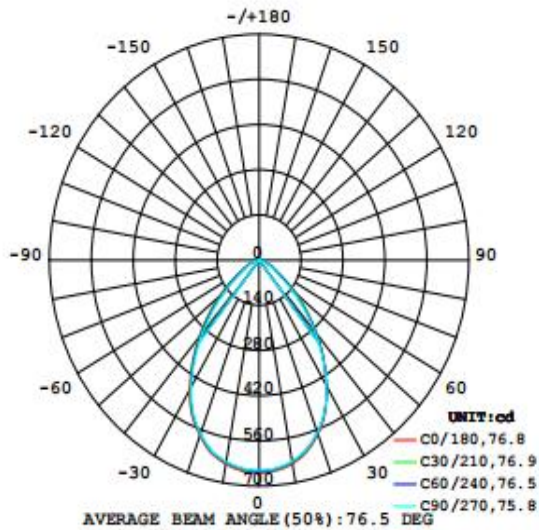
4000K



Flux out: 679.0 lm

Height	Eavg, Emax	Angle: 74.95deg	Diameter
1m	354.1, 677.3lx		153.31cm
2m	88.53, 169.3lx		306.63cm
3m	39.34, 75.25lx		459.94cm
4m	22.13, 42.33lx		613.26cm
5m	14.16, 27.09lx		766.57cm
6m	9.836, 18.81lx		919.89cm
7m	7.227, 13.82lx		1073.20cm
8m	5.533, 10.58lx		1226.52cm
9m	4.372, 8.361lx		1379.83cm
10m	3.541, 6.773lx		1533.15cm

6000K

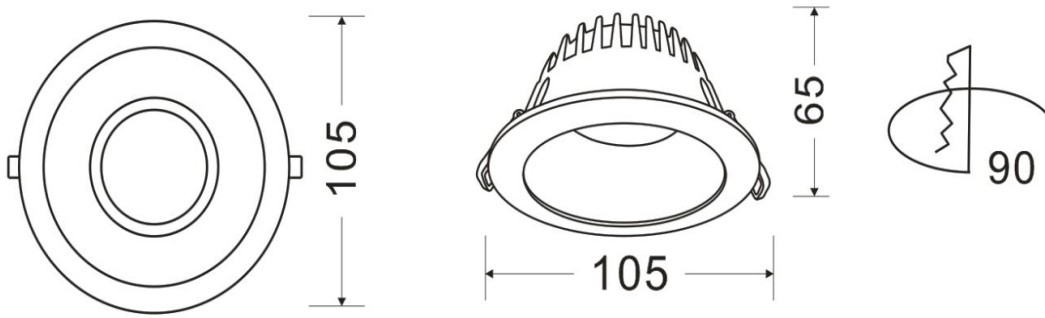


Flux out: 661.5 lm

Height	Eavg, Emax	Angle: 75.31deg	Diameter
1m	344.9, 659.5lx		154.31cm
2m	86.24, 164.9lx		308.63cm
3m	38.33, 73.28lx		462.94cm
4m	21.56, 41.22lx		617.26cm
5m	13.80, 26.38lx		771.57cm
6m	9.582, 18.32lx		925.89cm
7m	7.040, 13.46lx		1080.20cm
8m	5.390, 10.30lx		1234.52cm
9m	4.259, 8.142lx		1388.83cm
10m	3.449, 6.595lx		1543.14cm

Dimensions & Weight

Diameter (mm)	105
Height (mm)	65
Product weight (g)	234



Material & Colors

Product color	Black heat sink / White frame
Housing color	Black
Body material	Aluminum
LGP material	PC
Reflector color	White
Mercury content	0.0 mg

Application & Mounting

Ambient temperature range	-10-45 °C
Temperature range at storage	-25-60 °C
Type of connection	Screwless terminal
Type of protection	IP20 / IP44
Dimmable	No
Mounting type	Recesse mounted
Mounting location	Ceiling
Application environment	Indoor
Cut size (mm)	90
LED module replaceable	Not replaceable
With light source	Yes

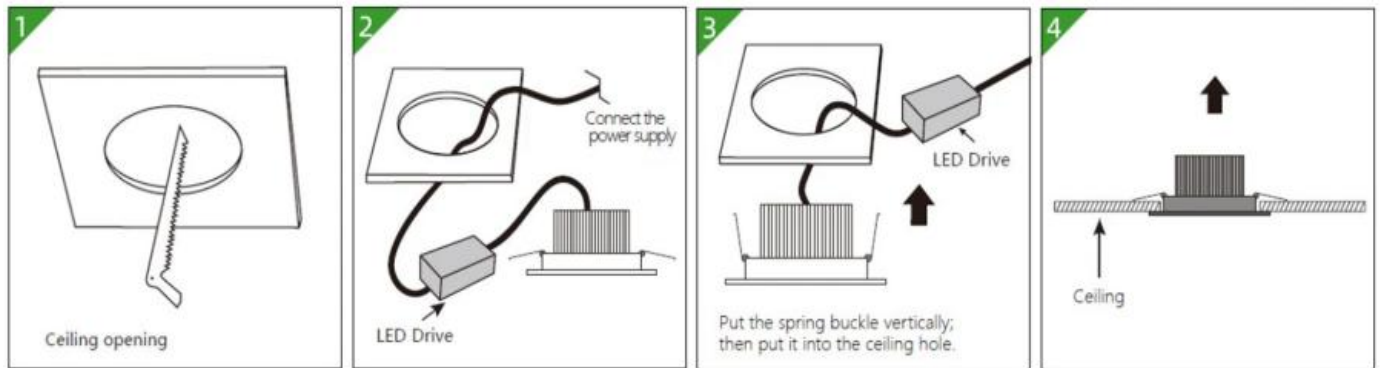
Certificates & Lifespan

Life (h)	50000
Number of switching cycles	25000
Certificates	CB CE LVD EMC
Standards	ISO9001:2015

Logistical Data

Product code	Dimensions (L*W*H)	Pcs/ carton	G.W. kg	Volume CBM
HYD-219C-10W	62*26*47.5 cm	50	...	0.07657

Installation Method



Disclaimer

Subject to change without notice. Errors and omission excepted. Always make sure to use the most recent release