

PRODUCT DATASHEET

Economic design Recessed mounted Downlight
HYD-240R-20W-3000K /4000K / 6000K



Application

- Commercial building
- Exhibition Hall
- Warehouse
- Hotel
- Office

Benefits

- Flicker free
- Economic and Elegant design
- Low lumen depreciation, saving Energy Up to 60% Compared to FL lamps
- Brand high efficiency LED chips Up To 100lm/w

Features

- Warranty 5 years
- Buckle design, easy and quick installation
- Drivers independently designed for the products reliability and durability
- Die-cast aluminum body for better heat dissipation, anti-corrosion, and easy maintain

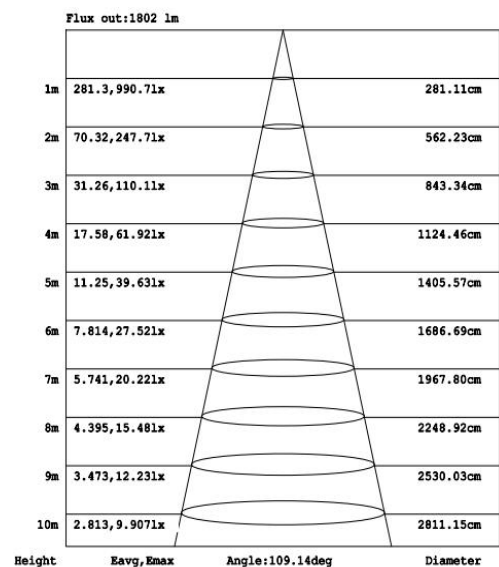
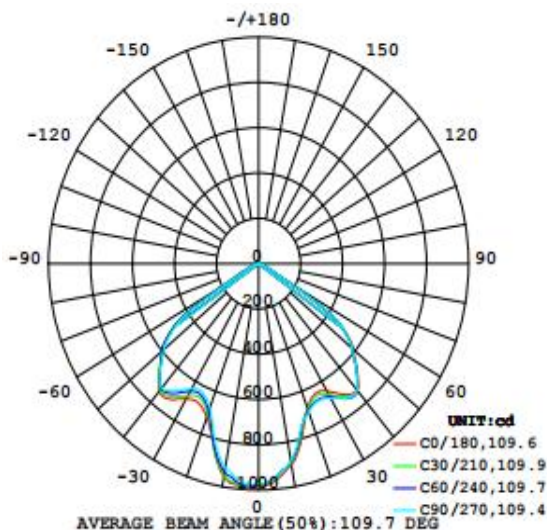
Electrical Data

| | |
|-------------------------------|---------------------|
| Nominal wattage (W) | 20W |
| Nominal Voltage (V) | 220-240V |
| Mains Frequency (Hz) | 50-60Hz |
| Nominal Current (mA) | 0.3A Max |
| LED Driver Current (mA) | 500 mA |
| LED Driver Voltage (V) | 27-42Vdc |
| LED Driver Efficiency (%) | 85% |
| Power factor λ | 0.5 |
| Total harmonic distortion (%) | ... |
| Operating mode | External LED driver |

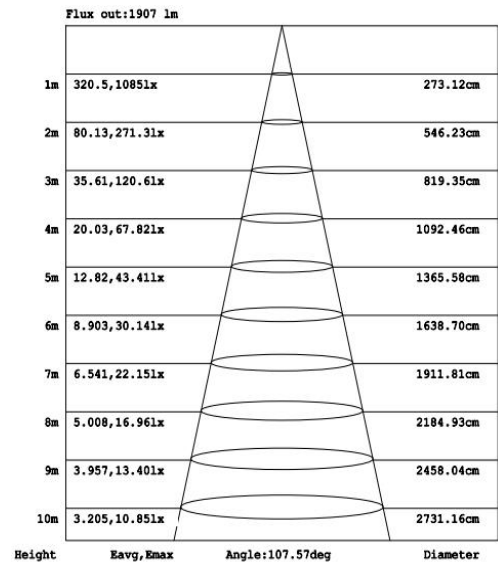
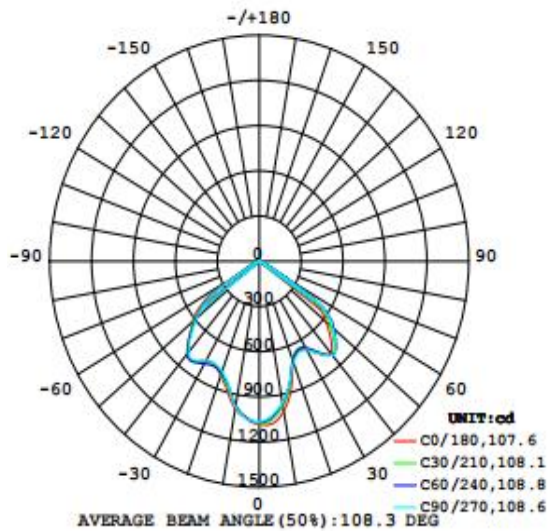
Photometrical data

| | | | |
|--------------------------------------|---------------|--------------|--------------|
| Luminous flux $\pm 10\%$ (lm) | 2078 | 2263 | 2060 |
| Luminous efficacy | 108 lm/w | 112 lm/w | 100 lm/w |
| Color temperature | 3000K | 4000K | 6000K |
| Light color (designation) | Warm White | Nature White | Cold White |
| Color rendering index Ra | ≥ 80 | | |
| Standard deviation of color matching | ≤ 5 SDCM | | |
| Luminous intensity/cd | 995 | 1088 | 950 |
| Flickering | Flicker free | | |
| Beam angle | 110° | 108° | 111° |

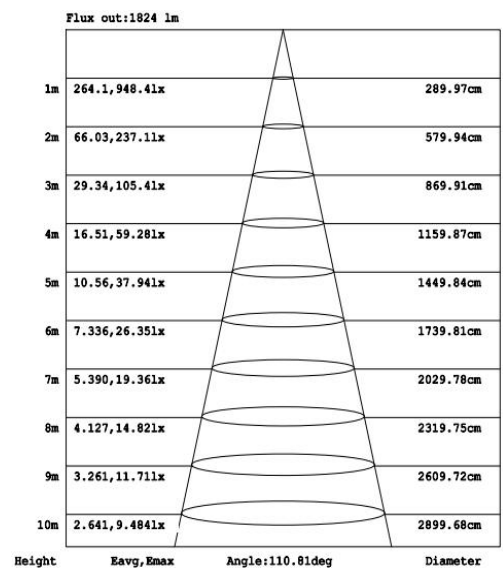
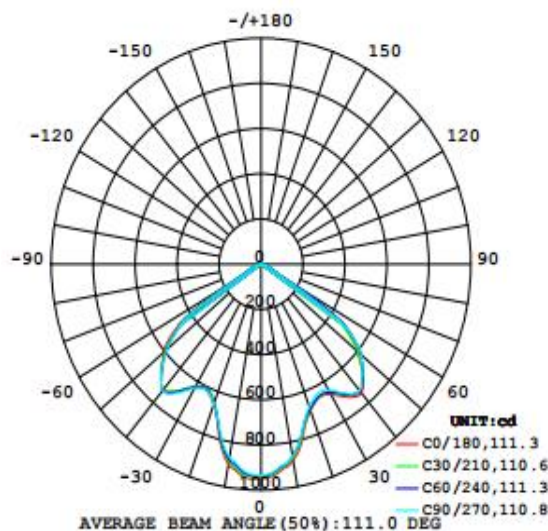
3000K



4000K

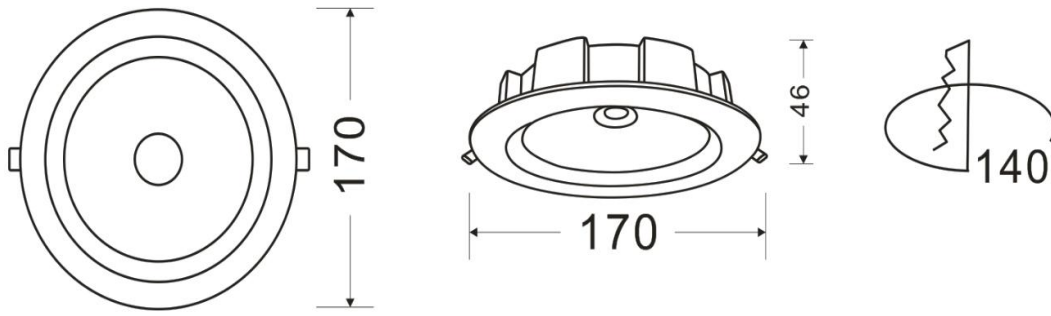


6000K



Dimensions & Weight

| | |
|--------------------|-----|
| Diameter (mm) | 170 |
| Height (mm) | 46 |
| Product weight (g) | 422 |



Material & Colors

| | |
|-----------------|-------------------------------|
| Product color | Black heat sink / White frame |
| Housing color | Black |
| Body material | Aluminum |
| LGP material | Transparent Glass |
| Mercury content | 0.0 mg |

Application & Mounting

| | |
|------------------------------|--------------------|
| Ambient temperature range | -10-45 °C |
| Temperature range at storage | -25-60 °C |
| Type of connection | Screwless terminal |
| Type of protection | IP20 |
| Dimmable | No |
| Mounting type | Recessed mounted |
| Mounting location | Ceiling |
| Application environment | Indoor |
| Cut size (mm) | 140 |
| LED module replaceable | Not replaceable |
| With light source | Yes |

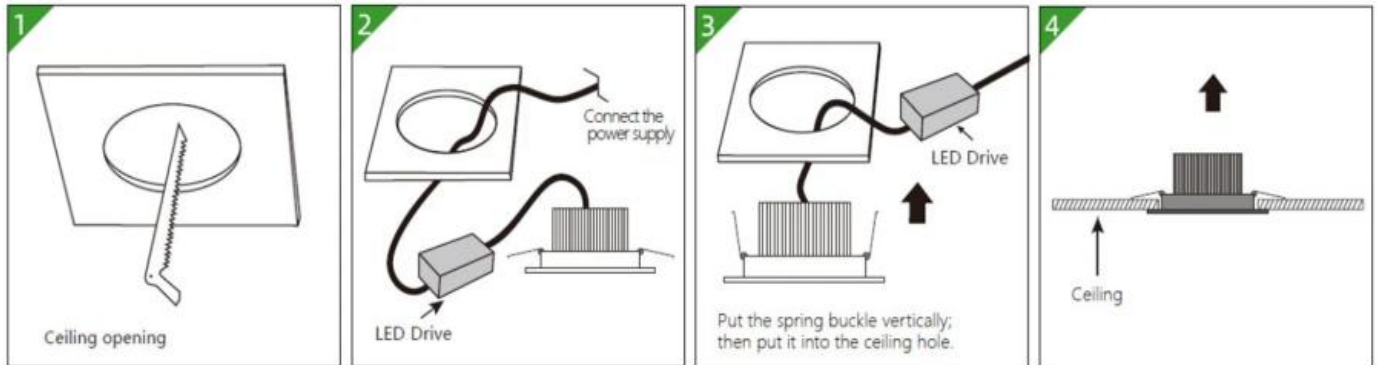
Certificates & Lifespan

| | |
|----------------------------|---------------|
| Life (h) | 50000 |
| Number of switching cycles | 25000 |
| Certificates | CB CE LVD EMC |
| Standards | ISO9001:2015 |

Logistical Data

| Product code | Dimensions (L*W*H) | Pcs/ carton | G.W. kg | Volume CBM |
|--------------|--------------------|-------------|---------|------------|
| HYD-240R-20W | 53*29.5*38.5 cm | 30 | / | 0.06019 |

Installation Method



Disclaimer

Subject to change without notice. Errors and omission excepted. Always make sure to use the most recent release.