

PRODUCT DATASHEET

Economic design Recessed mounted Downlight
HYD-240R-7W-3000K /4000K / 6000K



Application

- Commercial building
- Exhibition Hall
- Warehouse
- Hotel
- Office

Benefits

- Flicker free
- Economic and Elegant design
- Low lumen depreciation, saving Energy Up to 60% Compared to FL lamps
- Brand high efficiency LED chips Up To 100lm/w

Features

- Warranty 5 years
- Buckle design, easy and quick installation
- Drivers independently designed for the products reliability and durability
- Die-cast aluminum body for better heat dissipation, anti-corrosion, and easy maintain

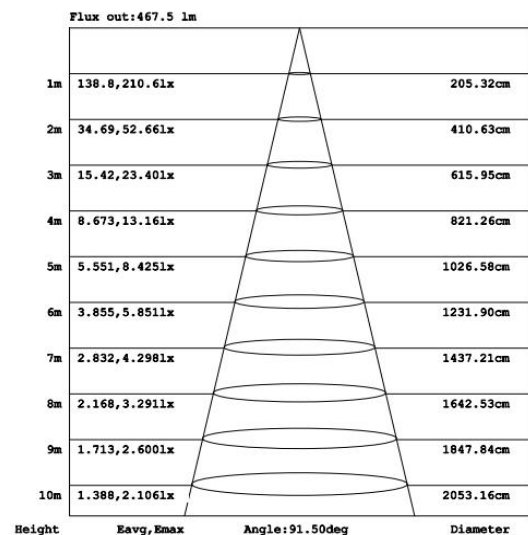
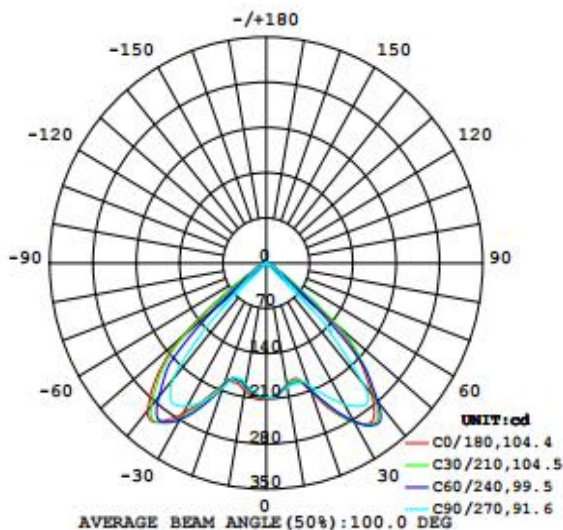
Electrical Data

Nominal wattage (W)	7W
Nominal Voltage (V)	220-240V
Mains Frequency (Hz)	50-60Hz
Nominal Current (mA)	0.1A Max
LED Driver Current (mA)	300mA
LED Driver Voltage (V)	15-24Vdc
LED Driver Efficiency (%)	80%
Power factor λ	0.5
Total harmonic distortion (%)	...
Operating mode	External LED driver

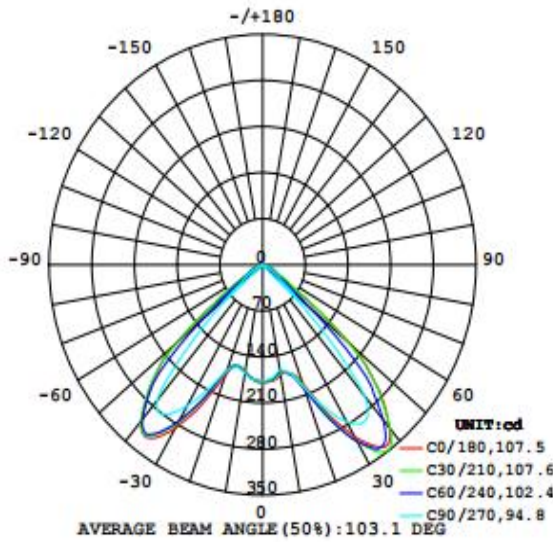
Photometrical data

Luminous flux $\pm 10\%$ (lm)	590.56lm	631.65lm	619.86lm
Luminous efficacy	79.81lm/w	85.87lm/w	84.05lm/w
Color temperature	3000K	4000K	6000K
Light color (designation)	Warm White	Nature White	Cold White
Color rendering index Ra	≥ 80		
Standard deviation of color matching	≤ 5 SDCM		
Luminous intensity	310.8cd	349.9cd	341.4cd
Flickering	Flicker free		
Beam angle	100°	103.1°	103.1°

3000K



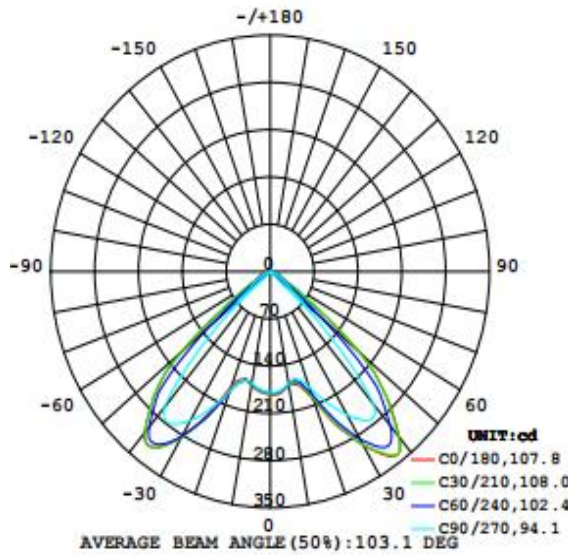
4000K



Flux out: 517.4 lm

Height	Eavg, Emax	Angle: 94.86deg	Diameter
1m	133.5, 202.8lx		217.74cm
2m	33.38, 50.71lx		435.47cm
3m	14.83, 22.54lx		653.21cm
4m	8.345, 12.68lx		870.94cm
5m	5.341, 8.114lx		1088.68cm
6m	3.709, 5.634lx		1306.41cm
7m	2.725, 4.140lx		1524.15cm
8m	2.086, 3.169lx		1741.89cm
9m	1.648, 2.504lx		1959.62cm
10m	1.335, 2.028lx		2177.36cm

6000K

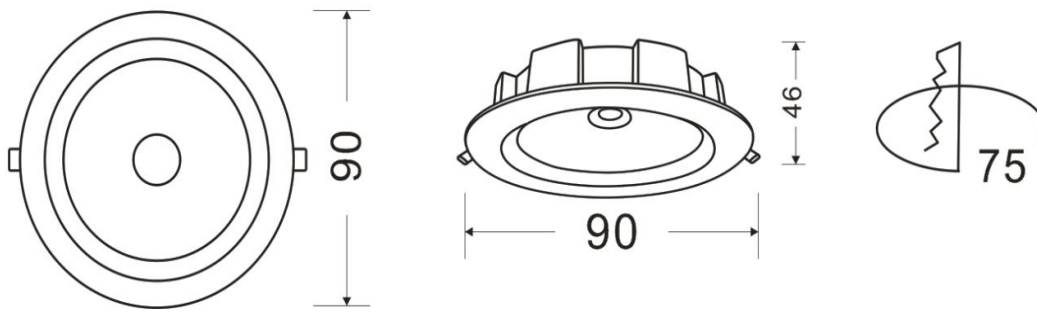


Flux out: 508.1 lm

Height	Eavg, Emax	Angle: 94.13deg	Diameter
1m	131.1, 192.7lx		214.97cm
2m	32.78, 48.17lx		429.94cm
3m	14.57, 21.41lx		644.91cm
4m	8.195, 12.04lx		859.88cm
5m	5.245, 7.706lx		1074.86cm
6m	3.642, 5.352lx		1289.83cm
7m	2.676, 3.932lx		1504.80cm
8m	2.049, 3.010lx		1719.77cm
9m	1.619, 2.379lx		1934.74cm
10m	1.311, 1.927lx		2149.71cm

Dimensions & Weight

Diameter (mm)	90
Height (mm)	46
Product weight (g)	168



Material & Colors

Product color	Black heat sink / White frame
Housing color	Black
Body material	Aluminum
LGP material	Transparent Glass
Mercury content	0.0 mg

Application & Mounting

Ambient temperature range	-10-45 °C
Temperature range at storage	-25-60 °C
Type of connection	Screwless terminal
Type of protection	IP20
Dimmable	No
Mounting type	Recesse mounted
Mounting location	Ceiling
Application environment	Indoor
Cut size (mm)	75
LED module replaceable	Not replaceable
With light source	Yes

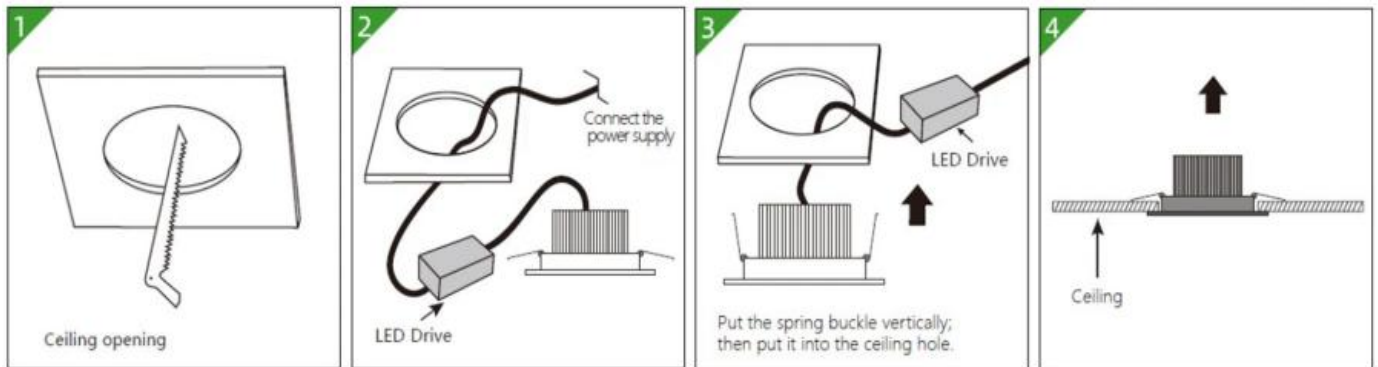
Certificates & Lifespan

Life (h)	50000
Number of switching cycles	25000
Certificates	CB CE LVD EMC
Standards	ISO9001:2015

Logistical Data

Product code	Dimensions (L*W*H)	Pcs/ carton	G.W. kg	Volume CBM
HYD-240R-7W	57*27*48.5 cm	100	/	0.07464

Installation Method



Disclaimer

Subject to change without notice. Errors and omission excepted. Always make sure to use the most recent release.