

## PRODUCT DATASHEET

Economic design Recessed mounted Downlight  
HYD-3\*7W-3000K



---

### Application

- Commercial building
- Exhibition Hall
- Warehouse
- Hotel
- Office

---

### Benefits

- Flicker free
- Economic and Elegant design
- Low lumen depreciation, saving Energy Up to 60% Compared to FL lamps
- Brand high efficiency LED chips Up To 100lm/w

---

### Features

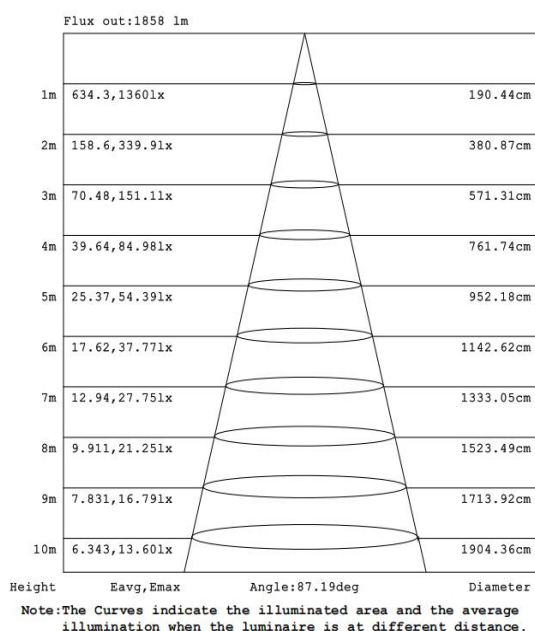
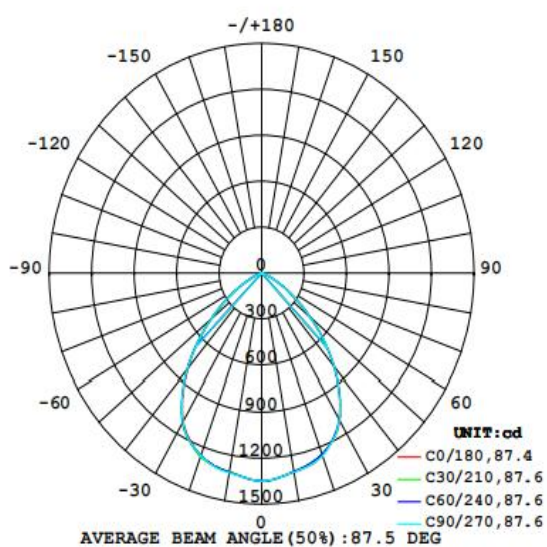
- Warranty 5 years
- Buckle design, easy and quick installation
- Drivers independently designed for the products reliability and durability
- Die-cast aluminum body for better heat dissipation, anti-corrosion, and easy maintain

## Electrical Data

Nominal wattage (W)	<b>3*7W</b>
Nominal Voltage (V)	220-240V
Mains Frequency (Hz)	50
Nominal Current (mA)	167
LED Driver Current (mA)	180
LED Driver Voltage (VDC)	30-40
LED Driver Efficiency (%)	82%
Power factor $\lambda$	0.5
Total harmonic distortion (%)	...
Operating mode	External LED driver

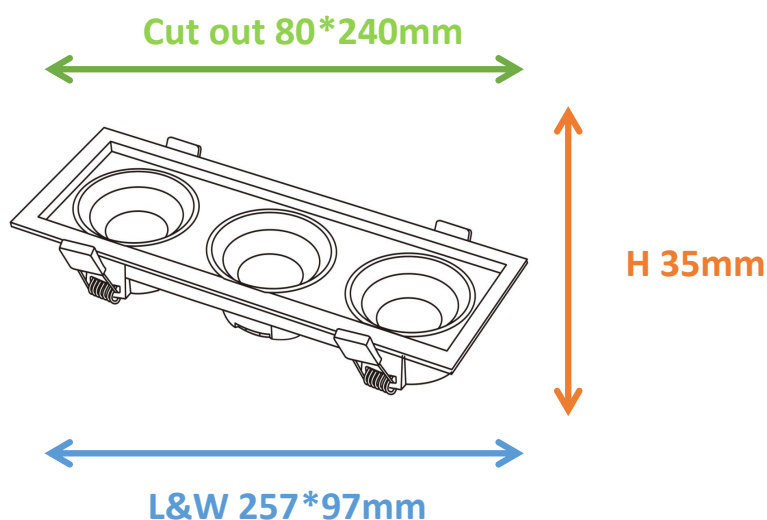
## Photometrical data

Luminous flux $\pm 10\%$ (lm)	2486 lm
Luminous efficacy	111 lm/w
Color temperature	<b>3000K</b>
Light color (designation)	Warm White
Color rendering index Ra	$\geq 80$
Standard deviation of color matching	$\leq 5$ SDCM
Luminous intensity/cd	1349
Flickering	Flicker free
Beam angle	88 °



## Dimensions & Weight

Length&Width (mm)	257*97
Height (mm)	35
Product weight (g)	...



## Material & Colors

Product color	White housing/Gun color reflective cup
Housing color	White
Body material	Aluminum
LGP material	PC
Mercury content	0.0 mg

## Application & Mounting

Ambient temperature range	-10-40 °C
Temperature range at storage	-10-40 °C
Type of connection	Screwless terminal
Type of protection	IP20
Dimmable	No
Mounting type	Recessed mounted
Mounting location	Ceiling
Application environment	Indoor
Cut size (mm)	80*240
LED module replaceable	Not replaceable
With light source	Yes

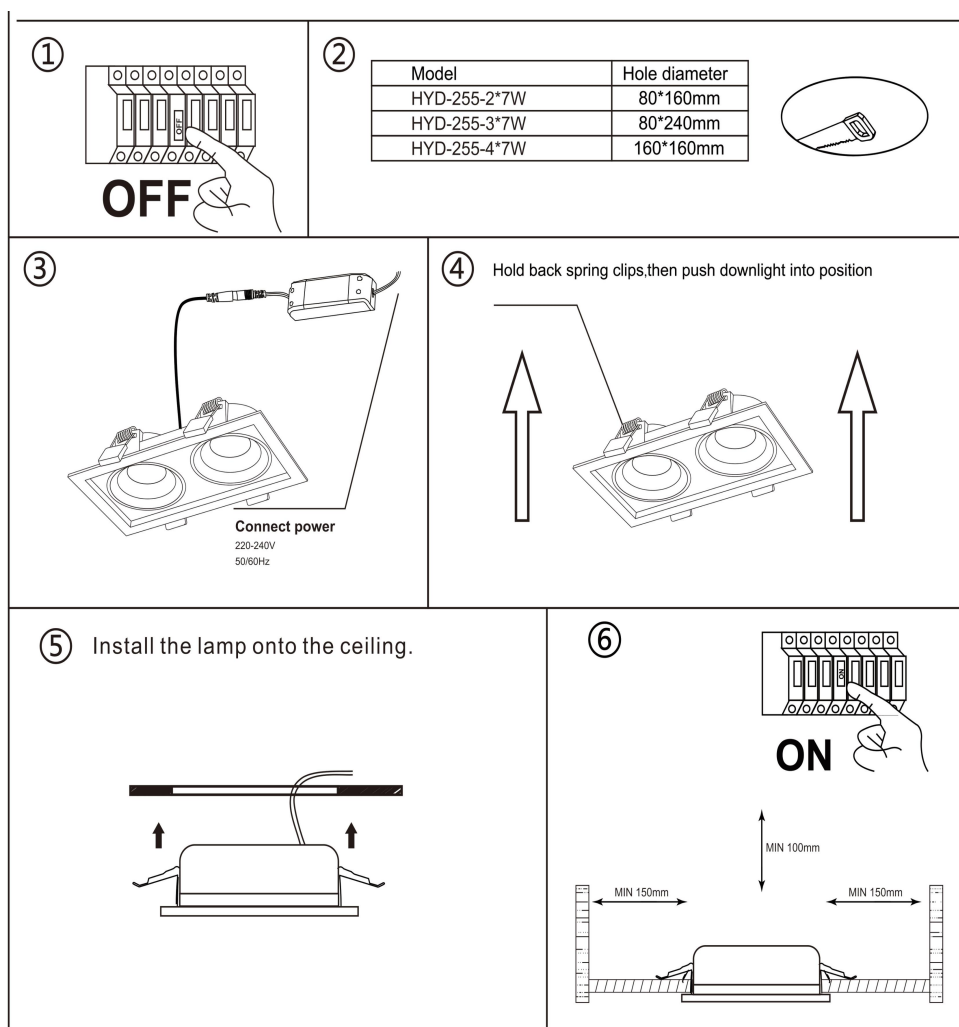
## Certificates & Lifespan

Life (h)	50000
Certificates	CB CE LVD EMC
Standards	ISO9001:2015

## Logistical Data

Product code	Dimensions (L*W*H)	Pcs/ carton	G.W. kg	Volume CBM
HYD-3*7W	48*29.5*27.5 cm	20	...	0.03894

## Installation Method



## Disclaimer

Subject to change without notice. Errors and omission excepted. Always make sure to use the most recent release.