

## PRODUCT DATASHEET

Black lamp cup, enhanced anti-glare, Led spot light  
HYD-342AR-7W 4000K



---

### Application

- Home
- Restaurant
- Exhibition Hall
- Stage
- Conference Room
- Clothing Store

---

### Benefits

- Flicker free
- It can be used for emphasis lighting and decorative lighting
- Spot light have prominent advantages in commercial lighting
- No secondary light spot, it can create a wall washing effect

---

### Features

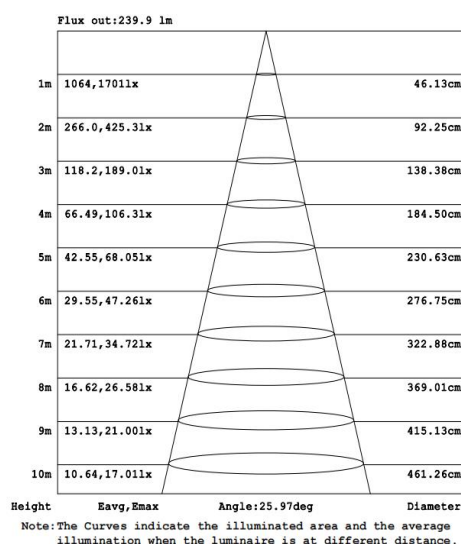
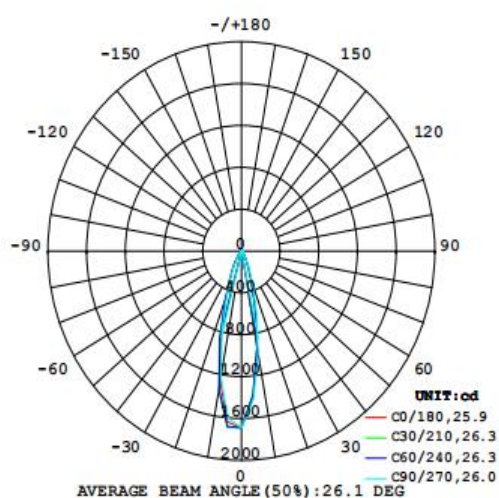
- Warranty 5 years
- PC, Good light transmission
- Small size, light weight, buckle design, easy to install
- Die-cast aluminum, good heat dissipation, reduce light decay

## Electrical Data

Nominal wattage (W)	<b>7W</b>
Nominal Voltage (V)	220-240 V
Mains Frequency (Hz)	50
Nominal Current (mA)	60
LED Driver Current (mA)	300
LED Driver Voltage (VDC)	15-24
LED Driver Efficiency (%)	80%
Power Factor $\lambda$	0.5
Total harmonic distortion (%)	...
Operating mode	External LED driver

## Photometrical data

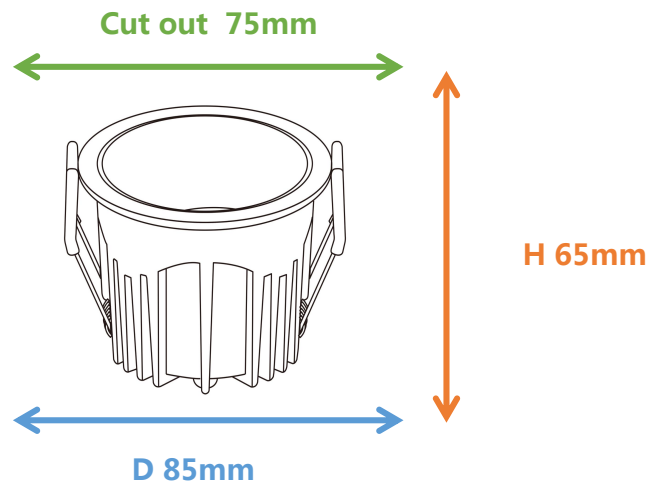
Luminous flux $\pm 10\%$ (lm)	504 lm
Luminous efficacy	69 lm/w
Color temperature	<b>4000K</b>
Light color (designation)	Natural White
Color rendering index Ra	$\geq 80$
Standard deviation of color matching	$\leq 5$ SDCM
Luminous intensity/cd	1691
Flickering	Flicker free
Beam angle	26 °



**4000K**

### Dimensions & Weight

Diameter (mm)	85
Height (mm)	65
Product weight (g)	278



### Material & Colors

Product color	Black Lamp cup / White Housing
Housing color	White
Body material	Aluminum
Cover material	PC
Mercury content	0.0 mg

### Application & Mounting

Ambient temperature range	-20°C~+45 °C
Temperature range at storage	-20°C~+60 °C
Type of connection	Screwless terminal
Type of protection	IP20
Dimmable	No
Mounting type	Recessed
Mounting location	Ceiling
Application environment	Indoor
Cut size (mm)	75
LED module replaceable	Not replaceable
With light source	Yes

## Certificates & Lifespan

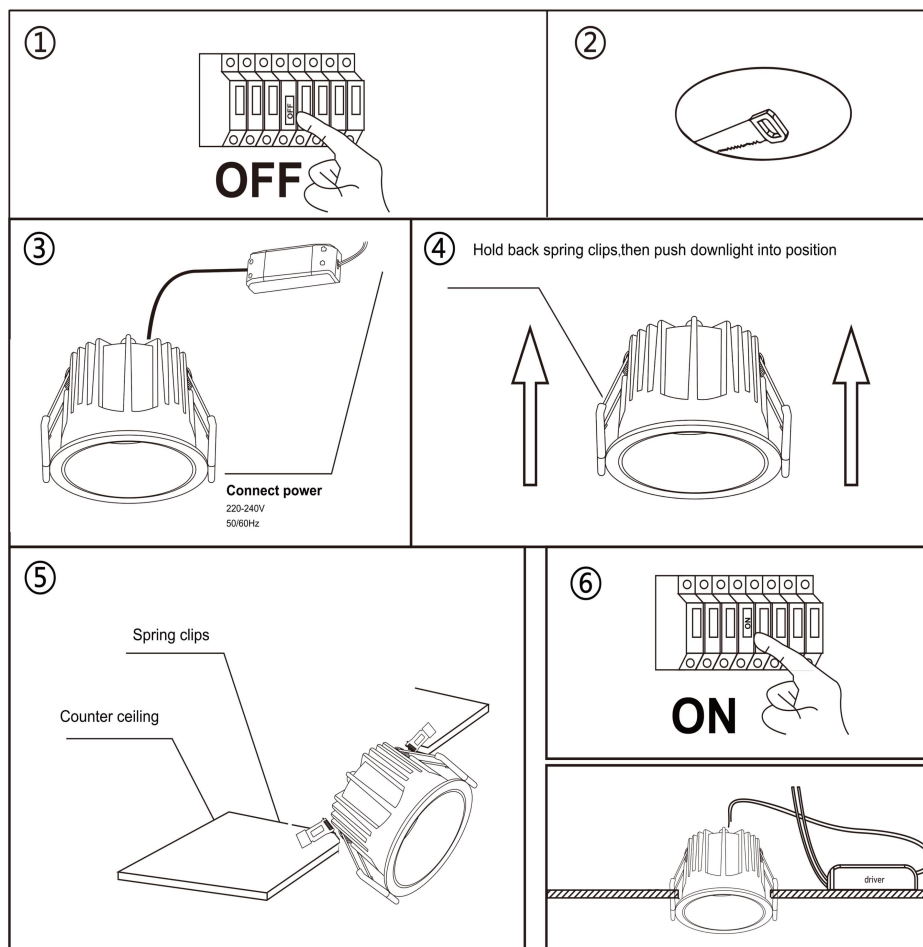
Life (h)	50,000
Certificates	CB CE LVD EMC
Standards	ISO9001:2015

## Logistical Data

Product code	Dimensions (L*W*H)	Pcs/ carton	G.W. kg	Volume CBM
HYD-342AR-7W	...	...	...	...

This is the estimated data. Subject to the actual shipment.

## Installation Method



## Disclaimer

Subject to change without notice. Errors and omission excepted. Always make sure to use the most recent release.