

## PRODUCT DATASHEET

IP65+Aluminum+High luminous efficiency - Wall Light

HYD-W17-18W 3000K



---

### Application

- Villa
- Courtyard
- Doorway
- Balcony
- Corridor

---

### Benefits

- Flicker free
- Lighting coverage area is wide
- Protection against water & dust, IP65
- Low power, high light efficiency, energy saving and environmental protection

---

### Features

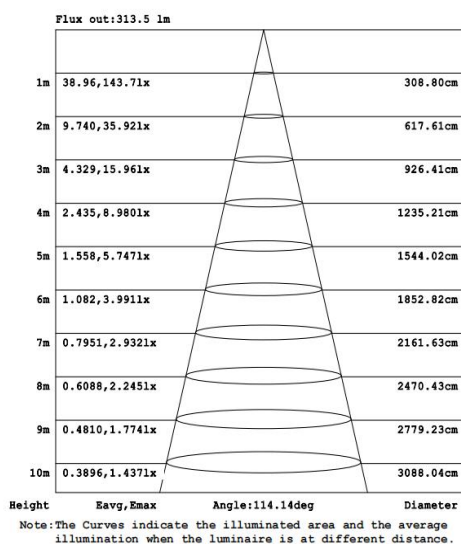
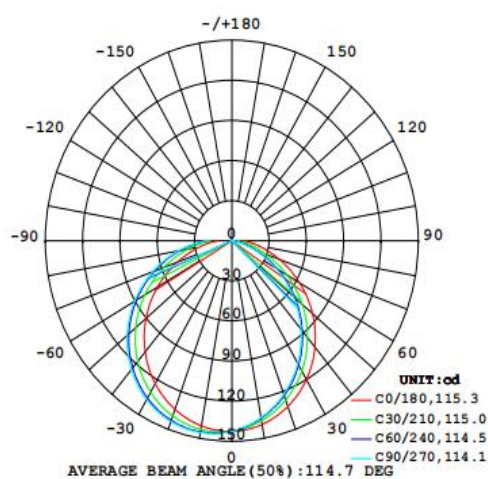
- Warranty 5 years
- PC, Good light transmission
- High light transmission mask to ensure uniform light, reduce the dark area of the lighting environment

## Electrical Data

Nominal wattage (W)	<b>18W</b>
Nominal Voltage (V)	220-240 V
Mains Frequency (Hz)	50
Nominal Current (mA)	86
LED Driver Current (mA)	450
LED Driver Voltage (VDC)	24-40
LED Driver Efficiency (%)	...
Power Factor $\lambda$	0.9C-0.95
Total harmonic distortion (%)	...
Operating mode	Built in LED driver

## Photometrical data

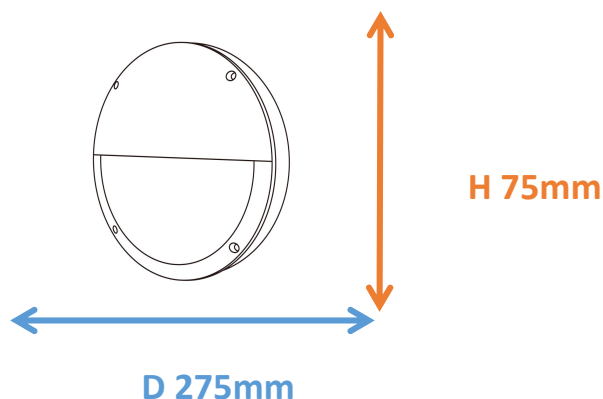
Luminous flux $\pm 10\%$ (lm)	433 lm
Luminous efficacy	23 lm/w
Color temperature	<b>3000K</b>
Light color (designation)	Warm White
Color rendering index Ra	$\geq 80$
Standard deviation of color matching	$\leq 5$ SDCM
Luminous intensity/cd	146
Flickering	Flicker free
Beam angle	115 °



**IES**

## Dimensions & Weight

Diameter (mm)	275
Height (mm)	75
Product weight (g)	1018



## Material & Colors

Product color	White Lamp Len / Black Housing
Housing color	Black
Body material	Aluminum
Cover material	PC
Reflector color	White
Mercury content	0.0 mg

## Application & Mounting

Ambient temperature range	-30°C~+50 °C
Temperature range at storage	-40°C~+50 °C
Type of connection	Screw terminal
Type of protection	IP65
Dimmable	No
Mounting type	Surface mounted
Mounting location	Wall
Application environment	Indoor/Outdoor
Cut size (mm)	No
LED module replaceable	Not replaceable
With light source	Yes

### Certificates & Lifespan

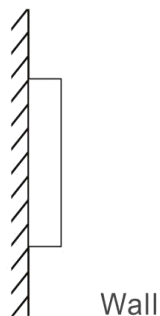
Life (h)	50,000
Certificates	CB CE LVD EMC
Standards	ISO9001:2015

### Logistical Data

Product code	Dimensions (L*W*H)	Pcs/ carton	G.W. kg	Volume CBM
HYD-W17-18W	...	...	...	...

This is the estimated data. Subject to the actual shipment.

### Installation Method



### Disclaimer

Subject to change without notice. Errors and omission excepted. Always make sure to use the most recent release.